

BTQ Series

REV 003B



SINGLE AND DOUBLE PROPELLER - ELECTRIC MOTOR

BTQ 110

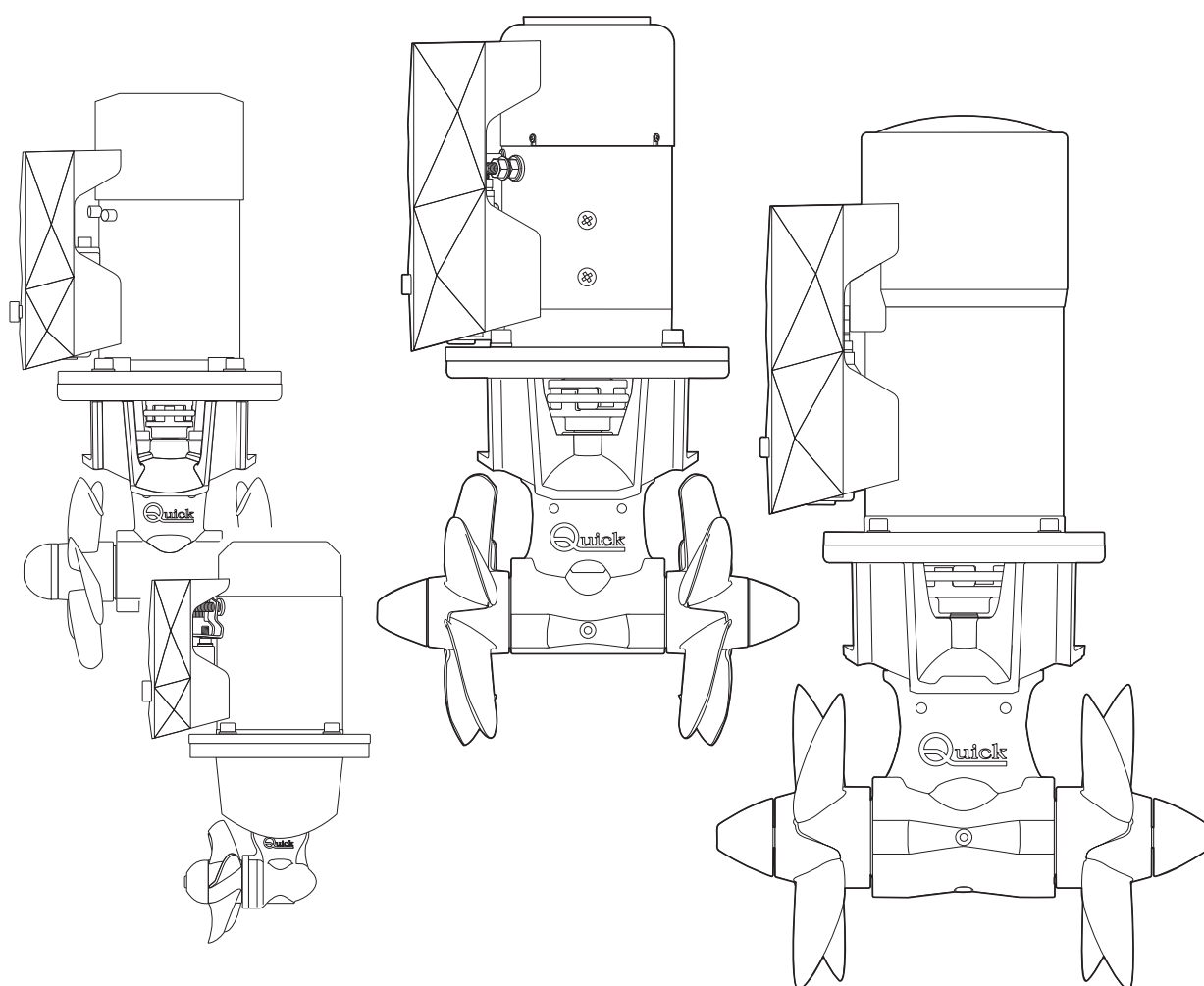
BTQ 125

BTQ 140

BTQ 185

BTQ 250

BTQ 300



***EN - INSTALLATION AND USER'S MANUAL**

*Other languages available by scanning the QR code on the back of this manual or on the label on the product.

Quick[®]
Nautical Equipment

1 - Information about the product	5
1.0 - Technical Data	5
2 - Supply and equipment	7
2.0 - Standard supply and material included in the package	7
2.1 - Tools required for installation	7
2.2 - Recommended Quick® accessories not included	7
3 - Introduction	7
3.0 - Important notes	7
3.1 - Precautions	8
3.2- Precautions for the installer	8
3.3 - Installation requirements	8
4 - Installation	9
4.0 - Propellers	9
4.1 - Tunnel	10
4.2 - Thruster	11
4.3 - BTQ 110/125 Gearleg and motor support flange	12
4.3.0 - BTQ110/125 Propeller assembly	12
4.4 - BTQ 140/185/250/300 Gearleg and motor support flange	13
4.4.0 - BTQ140/185/250/300 Single propeller/double propeller assembly	13
5 - Wiring diagram	14
5.0 - BTQ110 basic system	14
5.1 - BTQ125 basic system	14
5.2 - BTQ140/185/250/300 basic system	15
6 - Cautions & Use	16
6.0 - Important cautions	16
6.1 - Thruster use	16
7 - Maintenance	17
7.0 - Single/double propeller maintenance	17
8 - Product disposal	17
8.0 - Product disposal	17
9 - Spare parts	18
9.0 - BTQ110/125	18
9.1 - BTQ140/185	19
9.2 - BTQ250/300	20
10 - Dimensions	22



READ THIS INSTRUCTION MANUAL CAREFULLY BEFORE USING THE PRODUCT. IF IN DOUBT, CONTACT YOUR QUICK® DEALER.



QUICK® RESERVES THE RIGHT TO MODIFY THE TECHNICAL CHARACTERISTICS OF THE EQUIPMENT AND THE CONTENTS OF THIS MANUAL WITHOUT PRIOR NOTICE. IN CASE OF DISCORDANCE OR ERRORS IN TRANSLATION BETWEEN THE TRANSLATED VERSION AND THE ORIGINAL TEXT IN THE ITALIAN LANGUAGE, REFERENCE WILL BE MADE TO THE ITALIAN TEXT.

1.0 - Technical Data

MODELS		BTQ 1102512	BTQ 1253012	BTQ 1254012	BTQ 1403012	BTQ 1404012
Propeller type		Single (technopolymer)				
Tunnel ø		110 mm (4" 21/64)	125 mm (5")	125 mm (5")	140 mm (5" 33/64)	140 mm (5" 33/64)
Motor power		1.3 kW	1.5 kW	2.2 kW	1.5 kW	2.2 kW
Voltage		12 V	12 V	12 V	12 V	12 V
Fuse		130 A CNL DIN	225 A CNL DIN	325 A CNL DIN	150 A CNL DIN	225 A CNL DIN
Thrust		25 kgf (55.1 lb)	30 kgf (66.1 lb)	40 kgf (88.2 lb)	30 kgf (66.1 lb)	40 kgf (88.2 lb)
Weight		9.3 kg (20.5 lb)	10.0 kg (22.0 lb)	10.9 kg (24.0 lb)	11.3 kg (24.9 lb)	12.2 kg (26.8 lb)
Tube thickness limit value		min. 3 mm - max 6.5 mm (min. 1/8" - max 1/4")			min. 4.5 mm - max 6.5 mm (min. 11/64" - max 1/4")	
Cable cross-section Recommended (*) (**)	L < 5 m	35 mm ² (AWG 2)	50 mm ² (AWG 1)	70 mm ² (AWG 2/0)	35 mm ² (AWG 2)	50 mm ² (AWG 1)
	5.1 < L < 10 m	50 mm ² (AWG 1)	70 mm ² (AWG 2/0)	2 x 50 mm ² (2 x AWG 1)	50 mm ² (AWG 1)	70 mm ² (AWG 2/0)
	10.1 < L < 20 m	70 mm ² (AWG 2/0)	95 mm ² (AWG 3/0)	2 x 70 mm ² (2 x AWG 2/0)	70 mm ² (AWG 2/0)	95 mm ² (AWG 3/0)

MODELS		BTQ 1805512	BTQ 1805524	BTQ 1807512	BTQ 1807524	BTQ 1809512	BTQ 1809524
Propeller type		Single (technopolymer)					
Tunnel ø		185 mm (7" 18/64)	185 mm (7" 18/64)	185 mm (7" 18/64)	185 mm (7" 18/64)	185 mm (7" 18/64)	185 mm (7" 18/64)
Motor power		3.0 kW	3.0 kW	4.0 kW	4.0 kW	6.0 kW	6.0 kW
Voltage		12 V	24 V	12 V	24 V	12 V	24 V
Fuse		250 A CNL DIN	150 A CNL DIN	350 A CNL DIN	250 A CNL DIN	350 A CNL DIN	250 A CNL DIN
Thrust		55 kgf (121.2 lb)	55 kgf (121.2 lb)	75 kgf (165.3 lb)	75 kgf (165.3 lb)	95 kgf (209.4 lb)	95 kgf (209.4 lb)
Weight		16.7 kg (36.8 lb)	16.9 kg (37.2 lb)	17.0 kg 37.5 lb	19.6 kg 43.2 lb	26.6 kg (58.6 lb)	24.2 kg (53.3 lb)
Tube thickness limit value		min. 4.5 mm - max 6.5 mm (min. 11/64" - max 1/4")					
Cable cross-section Recommended (*) (**)	L < 5 m	50 mm ² (AWG 1)	35 mm ² (AWG 2)	70 mm ² (AWG 2/0)	50 mm ² (AWG 1)	2 x 50 mm ² (2 x AWG 1)	50 mm ² (AWG 1)
	5.1 < L < 10 m	70 mm ² (AWG 2/0)	50 mm ² (AWG 1)	2 x 50 mm ² (2 x AWG 1)	70 mm ² (AWG 2/0)	2 x 70 mm ² (2 x AWG 2/0)	70 mm ² (AWG 2/0)
	10.1 < L < 20 m	95 mm ² (AWG 3/0)	70 mm ² (AWG 2/0)	2 x 70 mm ² (2 x AWG 2/0)	95 mm ² (AWG 3/0)	2 x 95 mm ² (2 x AWG 3/0)	95 mm ² (AWG 3/0)

(*) L = positive cable + negative cable

(**) Other solutions are allowed, provided that they are supported by the connecting terminals. Respect minimum section indicated.



MODELS		BTQ 1806512	BTQ 1806524	BTQ 1808512	BTQ 1808524	BTQ 1810512	BTQ 1810524
Propeller type		2 Counter rotating (technopolymer)					
Tunnel ø		185 mm (7" 18/64)	185 mm (7" 18/64)	185 mm (7" 18/64)	185 mm (7" 18/64)	185 mm (7" 18/64)	185 mm (7" 18/64)
Motor power		3.3 kW	3.3 kW	4.3 kW	4.3 kW	6.3 kW	6.3 kW
Voltage		12 V	24 V	12 V	24 V	12 V	24 V
Fuse		275 A CNL DIN	175 A CNL DIN	400 A CNL DIN	275 A CNL DIN	400 A CNL DIN	275 A CNL DIN
Thrust		65 kgf (55.1 lb)	65 kgf (55.1 lb)	85 Kg (187.4 lb)	85 Kg (187.4 lb)	105 Kg (231.5 lb)	105 Kg (231.5 lb)
Weight		17.6 kg (38.8 lb)	17.8 Kg (39.2 lb)	17.9 kg (39.4 lb)	20.5 kg (45.2 lb)	27.5 kg (60.6 lb)	25.1 Kg(55.3 lb)
Tube thickness limit value		min. 4.5 mm - max 6.5 mm (min. 11/64" - max 1/4")					
Cable cross-section Recommended (*) (**)	L < 5 m	70 mm ² (AWG 2/0)	50 mm ² (AWG 1)	2 x 50 mm ² (2 x AWG 1)	70 mm ² (AWG 2/0)	2 x 70 mm ² (2 x AWG 2/0)	70 mm ² (AWG 2/0)
	5.1 < L < 10 m	2 x 50 mm ² (2 x AWG 1)	70 mm ² (AWG 2/0)	2 x 70 mm ² (2 x AWG 2/0)	2 x 50 mm ² (2 x AWG 1)	2 x 95 mm ² (2 x AWG 3/0)	2 x 50 mm ² (2 x AWG 1)
	10.1 < L < 20 m	2 x 70 mm ² (2 x AWG 2/0)	95 mm ² (AWG 3/0)	2 x 95 mm ² (2 x AWG 3/0)	2 x 70 mm ² (2 x AWG 2/0)	2 x 120 mm ² (2 x AWG 4/0)	2 x 70 mm ² (2 x AWG 2/0)

MODELS		BTQ 2512012	BTQ 2512024	BTQ2514024	BTQ 2524024
Propeller type		2 Counter rotating (technopolymer)			
Tunnel ø		250 mm (9" 27/32 in)	250 mm (9" 27/32 in)	250 mm (9" 27/32 in)	250 mm (9" 27/32 in)
Motor power		6.5 Kw	6.5 Kw	8 Kw	10 Kw
Voltage		12 V	24 V	24 V	24 V
Fuse		500 A CNL DIN	275 A CNL DIN	275 A CNL DIN	500 A CNL DIN
Thrust		120 kgf (265 lb)	120 kgf (265 lb)	140 kgf (308 lb)	240 kgf (529 lb)
Weight		35.5 Kg (78.2 lb)	34.2 Kg (75.4 lb)	34.2 Kg (75.4 lb)	49.1 Kg (108.2 lb)
Tube thickness limit value		min. 6.5 mm - max 11 mm (min. 1/4" - max 7/16")			
Cable cross-section Recommended (*) (**)	L < 5 m	2 x 70 mm ² (2 x AWG 2/0)	70 mm ² (AWG 2/0)	70 mm ² (AWG 2/0)	2 x 50 mm ² (2 x AWG 1)
	5.1 < L < 10 m	2 x 95 mm ² (2 x AWG 3/0)	2 x 50 mm ² (2 x AWG 1)	2 x 50 mm ² (2 x AWG 1)	2 x 70 mm ² (2 x AWG 2/0)
	10.1 < L < 20 m	2 x 120 mm ² (2 x AWG 4/0)	2 x 70 mm ² (2 x AWG 2/0)	2 x 70 mm ² (2 x AWG 2/0)	2 x 95 mm ² (2 x AWG 3/0)

MODELS		BTQ 3025024	BTQ 3027024	BTQ 3030048	BTQ 3030048 NYLON
Propeller type		2 Counter rotating (technopolymer)		2 Counter rotating (nibril)	2 Counter rotating (technopolymer)
Tunnel ø		300 mm (11" 13/16 in)	300 mm (11" 13/16 in)	300 mm (11" 13/16 in)	300 mm (11" 13/16 in)
Motor power		10 Kw	12 Kw	15 Kw	15 Kw
Voltage		24 V	24 V	48 V	48 V
Fuse		400 A CNL DIN	500 A CNL DIN	500 A CNL DIN	500 A CNL DIN
Thrust		250 kgf (551 lb)	270 kgf (595 lb)	300 kgf (661 lb)	300 kgf (661 lb)
Weight		46.7 Kg (102.9 lb)	55.9 Kg (123.2 lb)	66.7 kg (147 lb)	60 kg (132 lb)
Tube thickness limit value		min. 9.5 mm - max 13.5 mm (min. 3/8" - max 17/32")			
Cable cross-section Recommended (*) (**)	L < 5 m	70 mm ² (AWG 2/0)	95 mm ² (AWG 3/0)	95 mm ² (AWG 3/0)	95 mm ² (AWG 3/0)
	5.1 < L < 10 m	2 x 50 mm ² (2 x AWG 1)	2 x 95 mm ² (2 x AWG 3/0)	2 x 70 mm ² (AWG 2/0)	2 x 70 mm ² (AWG 2/0)
	10.1 < L < 20 m	2 x 95 mm ² (2 x AWG 3/0)	2 x 120 mm ² (2 x AWG 4/0)	2 x 95 mm ² (2 x AWG 3/0)	2 x 95 mm ² (2 x AWG 3/0)

(*) L = positive cable + negative cable

(**) Other solutions are allowed, provided that they are supported by the connecting terminals. Respect minimum area indicated.



2.0 - Standard supply and material included in the package

- Thruster
- Drilling template
- Gasket
- O-ring
- Installation and use manual
- Conditions of warranty

2.1 - Tools required for installation

- BTQ110/125**
 - Drill and drill bits Ø 7 mm (9/32")
 - Hollow mill Ø 25 mm (63/64")
 - Male hex.wrenches: 4 mm, 5 mm and 6 mm
 - Fork wrench: 10 mm
- BTQ140**
 - Drill and drill bits Ø 7 mm (9/32")
 - Hollow mill Ø 27 mm (1" 1/16)
 - Male hex.wrenches: 4 mm, 5 mm and 6 mm
 - Fork wrench: 17 mm
- BTQ185**
 - Drill and drill bits Ø 9 mm (3/8")
 - Hollow mill Ø 35 mm (1" 3/8)
 - Male hex.wrenches: 5 mm, 6 mm and 8 mm
 - Fork wrench: 19 mm
- BTQ250**
 - Drill and drill bits Ø 11 mm (7/16")
 - Hollow mill Ø 46 mm (1" 13/16)
 - Male hex.wrenches: 4 mm, 5 mm, 8 mm and 10 mm
 - Fork wrench: 24 mm
- BTQ300**
 - Drill and drill bits Ø 15 mm (19/32")
 - Hollow mill Ø 53 mm (2" 3/32)
 - Male hex.wrenches: 4 mm, 5 mm, 8 mm and 12 mm
 - Fork wrench: 27 mm

2.2 - Recommended Quick® accessories not included

- TCD 2022 remote control
- TCD 2042 remote control
- TCD 2044 remote control
- TCD 2062 remote control (with integrated line switch)
- TSC 2000 integrated line switch control
- TMS line switch
- THF3 - THF6 fuse holder

3.0 - Important notes

BEFORE USING THE PRODUCT, PLEASE READ THIS USER'S MANUAL CAREFULLY. IF IN DOUBT, PLEASE CONSULT YOUR QUICK® DEALER.

This manual features Warning and/or Caution symbols that are important for safety. Please follow the instructions provided.



Warning symbol for dangerous situations.



Caution symbol to prevent direct or indirect damage to the product.

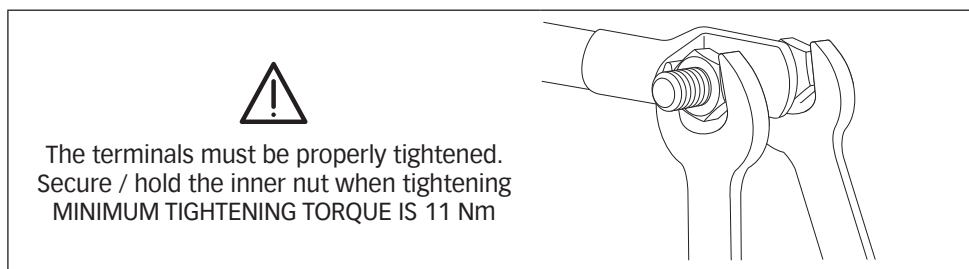
This manual provides boat manufacturers and nautical equipment installers with instructions on how to assemble the specified Quick® product and operate it correctly.

3.1 - Precautions



Quick® Thrusters have been designed and constructed only for nautical use.

- Do not use these products for any other type of operation.
- Quick® shall not be held liable for direct or indirect damage caused by improper use of the product.
- The product is not designed to support loads generated in particular atmospheric conditions (storms).
- Operate the product from a position where it is possible to supervise the work area.
- Always deactivate the product when not being used.
- For improved safety, we recommend installing at least two controls to operate the product in case one is damaged.
- The installer shall bear full responsibility for any problems caused by defective installation of the tunnel.
- This equipment is not intended for use by people (including children) with reduced physical, sensory or mental capabilities.
- Do not install the electric motor near easily inflammable objects.



3.2- Precautions for the installer



CARRY OUT THE INSTALLATION IN GOOD LIGHTING CONDITIONS.

It is advisable to wear suitable clothing and personal protective equipment (PPE).

The product is not suitable for installation in potentially explosive environments and/or atmospheres. Installation and subsequent inspection or repair work must only be carried out by qualified personnel.



CARRY OUT INSTALLATION/MAINTENANCE WORK MAKING SURE THAT THE PRODUCT IS DISCONNECTED FROM THE ELECTRICAL SYSTEM.

Quick® accepts no responsibility for inadequate connection of users to the electrical system and inadequate safety of the electrical system.

3.3 - Installation requirements

We recommend you entrust preparation and positioning of the tunnel in the hull to a skilled professional.

These are generic instructions and do not give details of the preparatory operations for installing the thruster, since this is the competence of the boatyard. The installer shall bear full responsibility for any problems caused by defective installation.

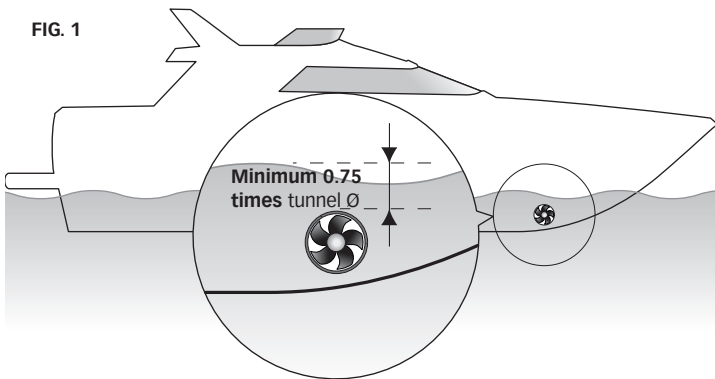
Although all the components and mechanical moving parts are of high quality, the correct installation of the driving unit is an essential basis for the safe and effective use of the boat as well as the driving unit itself.

The installation of such a unit is an operation that requires experience as well as technical skills. It is recommended that the installation be carried out by competent personnel and that the manufacturer or naval architects be consulted to fully assess the scope of the work.



4.0 - Propellers

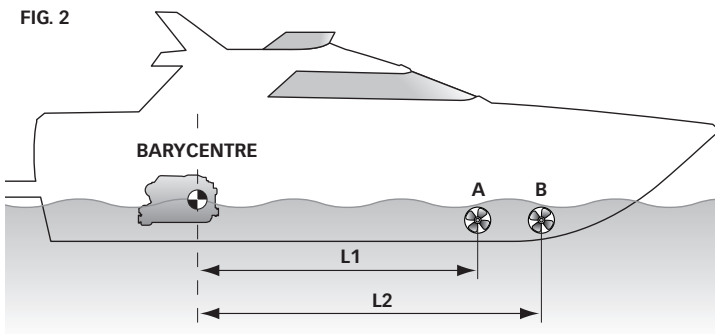
FIG. 1



The position of the tunnel will depend on the interior and exterior shape of the boat's bow.

• FIG. 1 In order to avoid cavitation in the propeller, the tunnel should be placed as deep as possible. The optimum tunnel position will be at least 0.75 times the diameter of the tunnel from the waterline.

FIG. 2



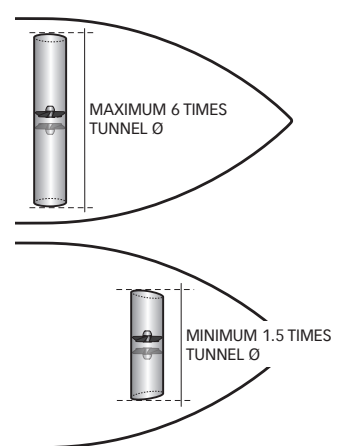
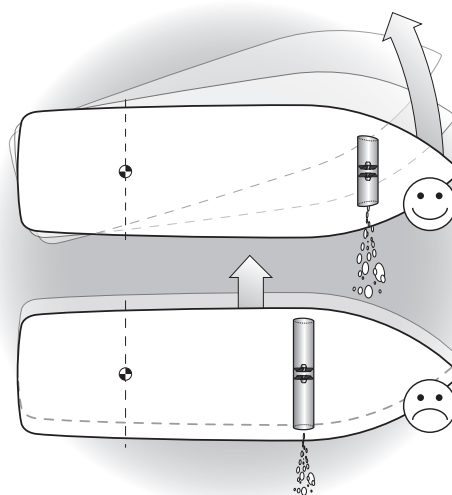
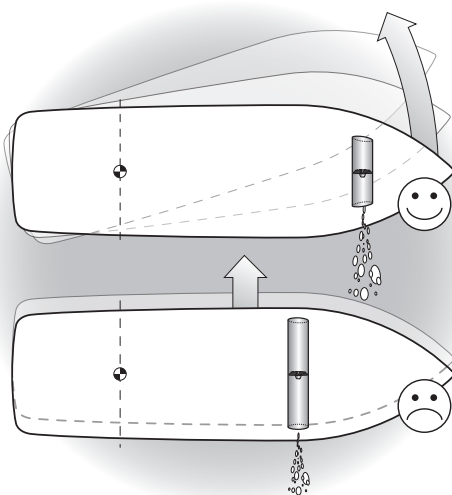
• FIG. 2 The lever effect in the boat is proportional to the increase of the distance (L1 and L2) between the barycentre and the position of the tunnel A and B.

• FIG. 3 For greater lever effect prefer position B.

SINGLE PROPELLER

DOUBLE PROPELLER

TUNNEL LENGTH

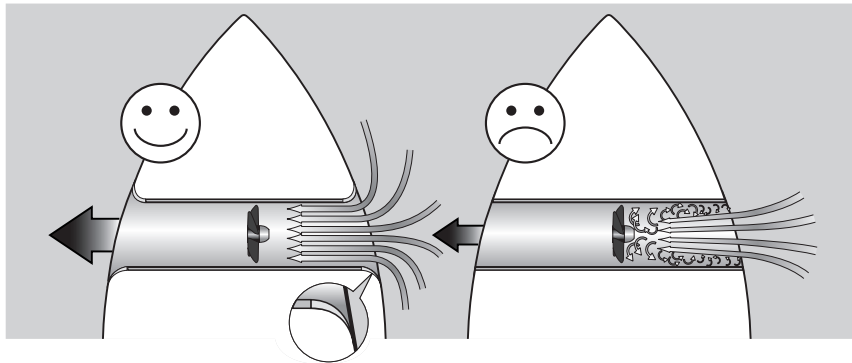


An increase in the length of the tunnel increases the effect of the loss of charge, decreasing the nominal driving force.

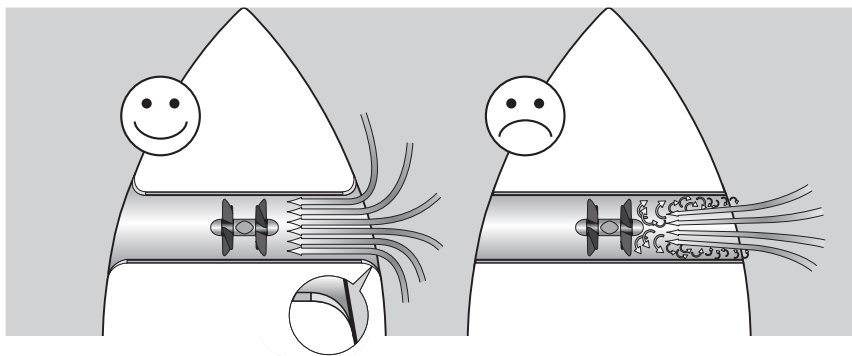
• For a proper use of the thruster, we recommend a length equal to 1.5 to 4 times the tunnel diameter. To limit losing charge, a ratio of up to 6 times the diameter can be tolerated.

4.1 - Tunnel

- The rounded ends of the tunnel limit the creation of turbulence and cavitation, improving performance of the propeller thrust and reducing noise levels to a minimum.

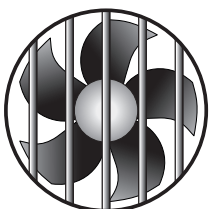
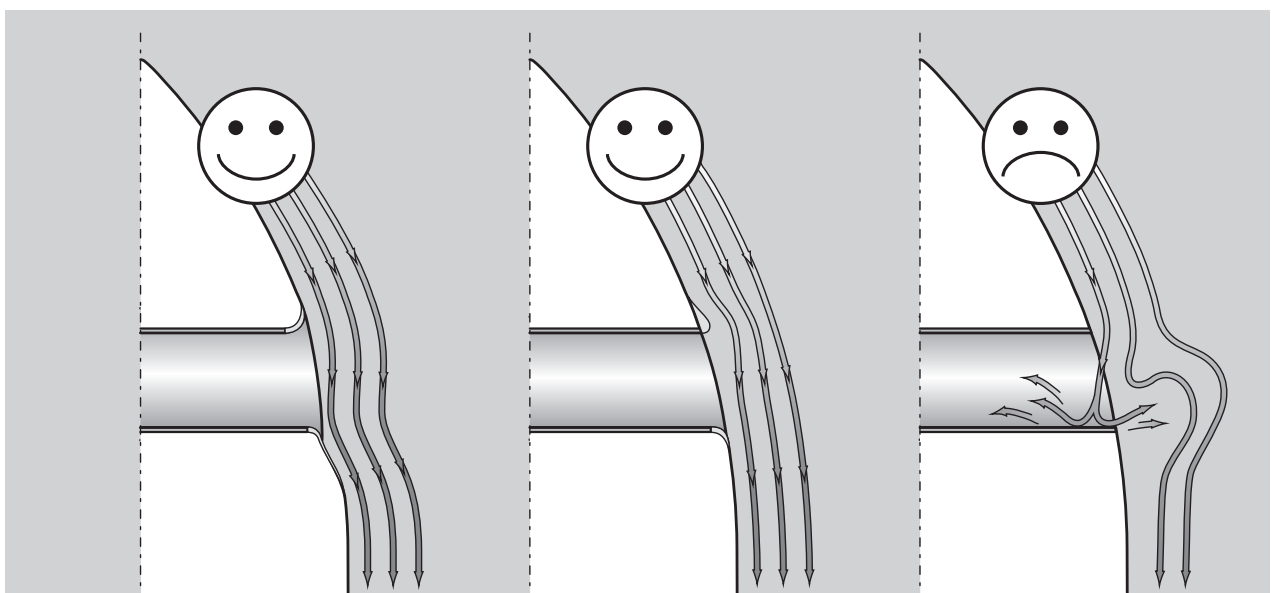


SINGLE PROPELLER



DOUBLE PROPELLER

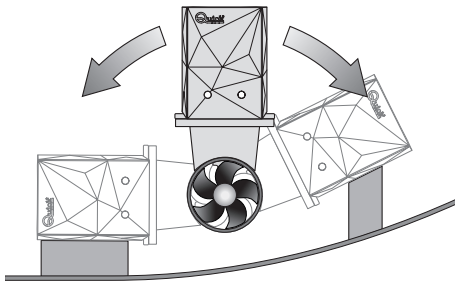
- The force produced by the flow of the water when the boat is moving produces resistance on the rear face of the tunnel, which is an area exposed frontally to the water flow. To limit this phenomenon, prepare an indentation in the rear part of the tunnel. The indentation will depend on the shape of the hull. Otherwise, create a deflector on the front part of the tunnel.



- If the tunnel is near the waterline, it is advisable to fit a grating at the end of the tube. The grating must have as large a vertical mesh as possible to avoid contrasting the propeller thrust. The vertical mesh prevents the entry of most of the floating objects.



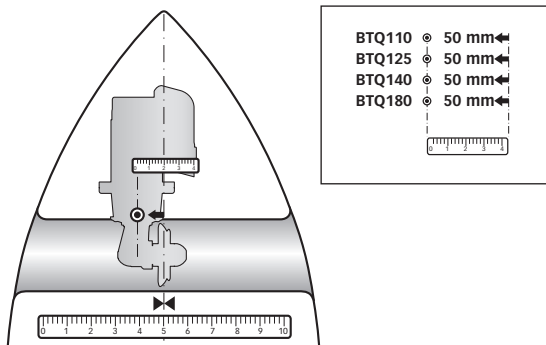
4.2 - Thruster



- The thruster can be installed at any angle within 90° from the vertical.
- If the electric motor is positioned at an angle of more than 30° from the vertical, an appropriate support (saddle) must be installed.

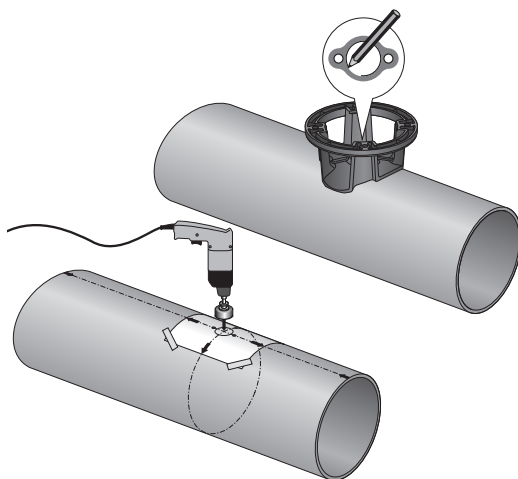
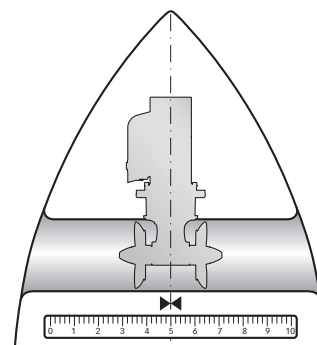
SINGLE PROPELLER

- To position the thruster in the tube, find the half-way point of the tube and move by the value indicated (left or right, see box) in the diagram below so that the propeller is positioned exactly in the middle of the inner length of the tunnel.



DOUBLE PROPELLER

- To position the thruster in the tube, find the half-way point of the tube and move by the value indicated (left or right, see box) in the diagram below so that the propeller is positioned exactly in the middle of the inner length of the tunnel.



- Use the flange to mark the centre of the holes on the tube.

- Fix the drilling template on the reference points, making sure they are aligned with precision at the half-way point of the tube.

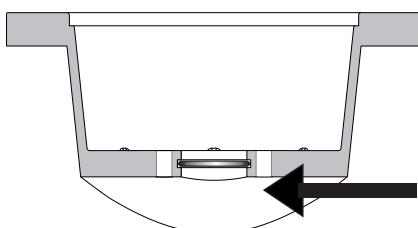


N.B. All holes must be exactly aligned with the half-way point of the tunnel, since tolerance between propeller and tunnel is minimal.

- Take care that there are no resin residues in the contact area between flange and tube; this could cause misalignment. Any resin residues and any other hindrance to correct contact must be removed with sandpaper.

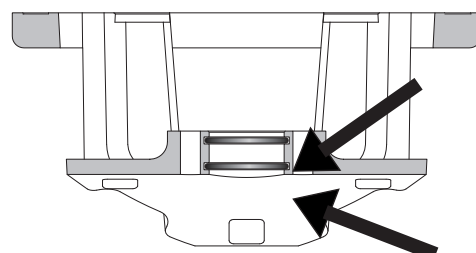
BTQ Ø110/125

- Insert one O-ring into the special seat inside the flange.



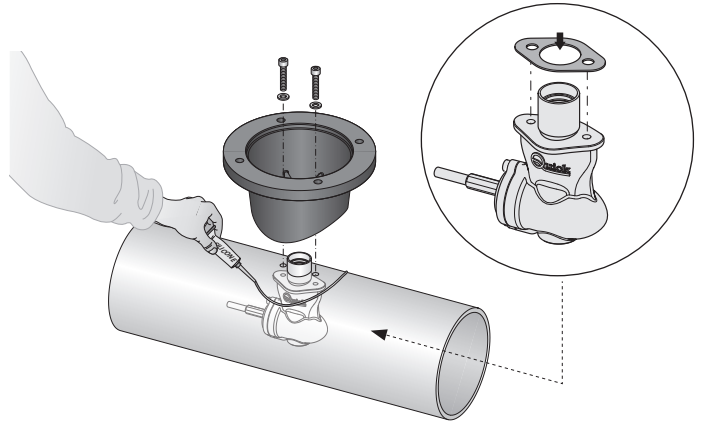
BTQ Ø140/185/250/300

- Insert two O-rings into the special seats inside the flange.

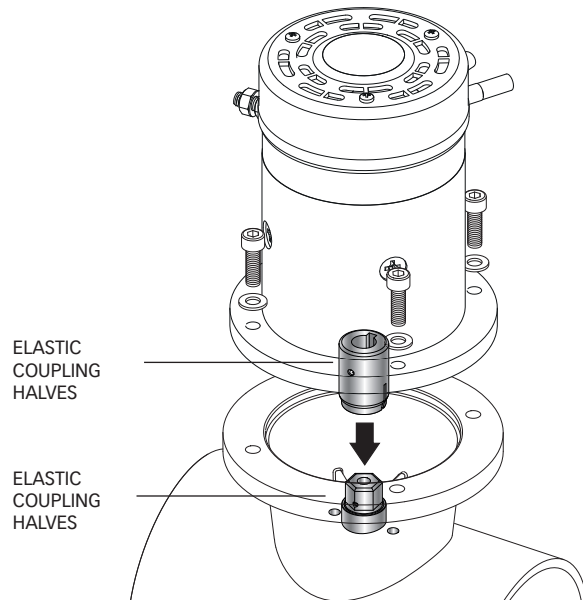


4.3 - BTQ 110/125 Gearleg and motor support flange

- Fit the gearleg with the special seal gasket.
- For further protection against the entry of water, apply silicone for nautical use around the point of contact between flange and tube.
- Fasten everything with the flange using the special screws and washers.

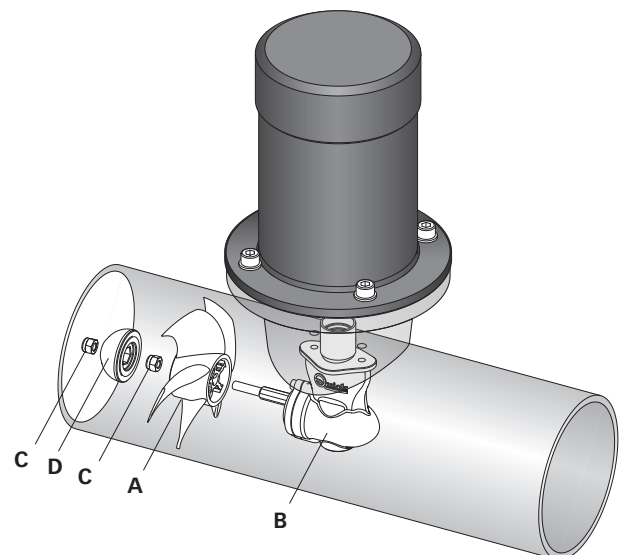
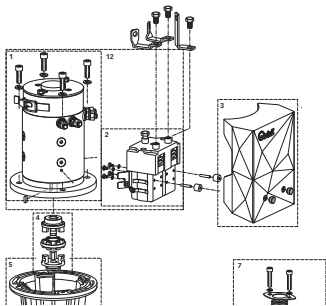


- Insert the motor on the flange by coupling the two elastic coupling halves. Secure with the 4 screws and washers supplied.



4.3.0 - BTQ110/125 Propeller assembly

- Insert propeller A on the shaft of gearleg B, secure the propeller with the self-locking nut C, insert anode D and lock it with the other self-locking nut C.

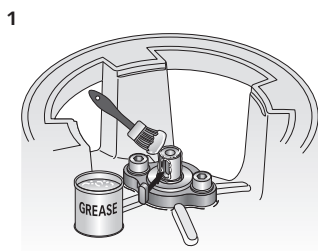
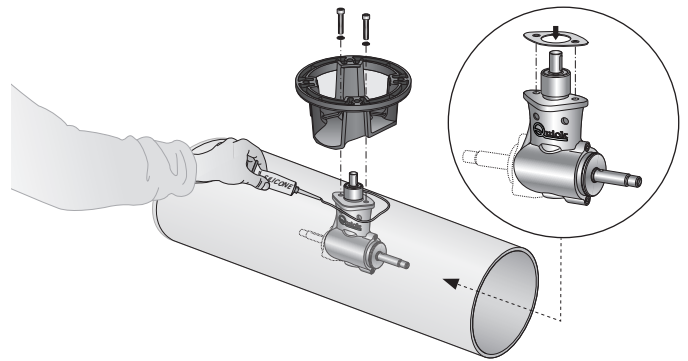


WARNING: on conclusion of assembly, make sure that the propeller is exactly positioned at the central point of the tunnel.

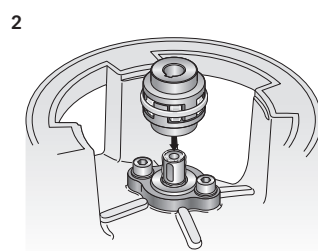


4.4 - BTQ 140/185/250/300 Gearleg and motor support flange

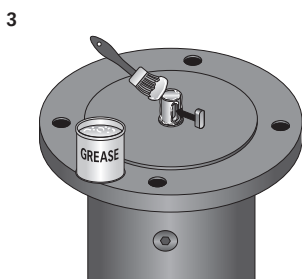
- Fit the gearleg with the special seal gasket.
- For further protection against the entry of water, apply silicone for nautical use around the point of contact between flange and tube.
- Fasten everything with the flange using the special screws and washers.



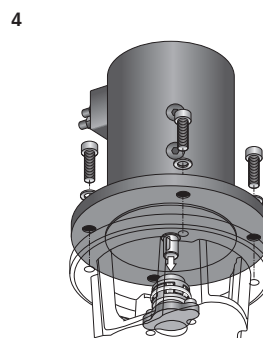
1
• Grease the terminal part of the gearleg shaft; fit the small key into its seat.



2
• Insert the elastic coupling in the terminal part of the gearleg shaft.

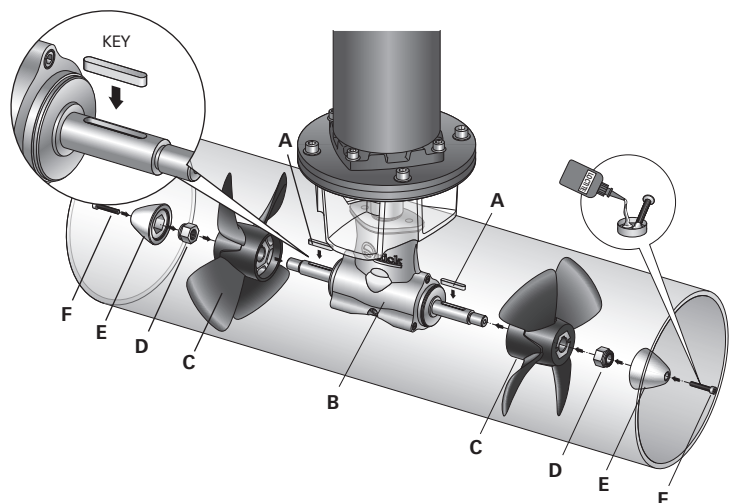
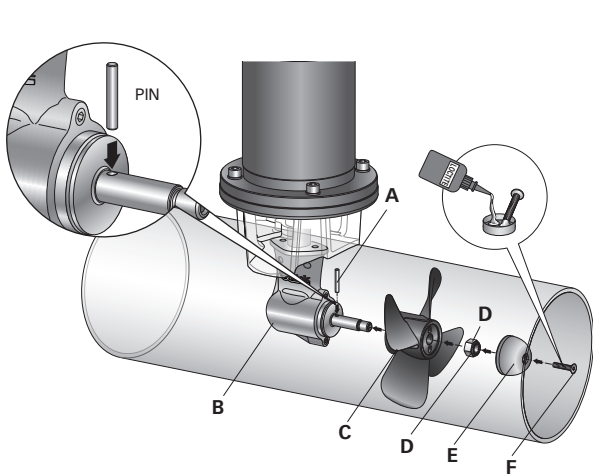


3
• Grease the terminal part of the drive shaft; fit the key into its seat.



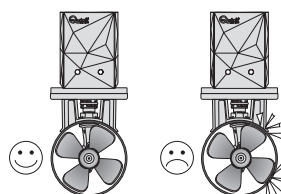
4
• Insert the motor onto the elastic coupling; secure it with the 4 screws and washers supplied.

4.4.0 - BTQ140/185/250/300 Single propeller/double propeller assembly



Propeller(s) assembly

Insert the drive key/pin **A** on gearleg **B**; fit the propeller **C** to the gearleg by engaging it to the drive key/pin **A**; secure the propeller with the self-locking nut **D**. Insert anode **E** on nut **D** and lock it with screw **F** smeared with threadlocker (loctite type).

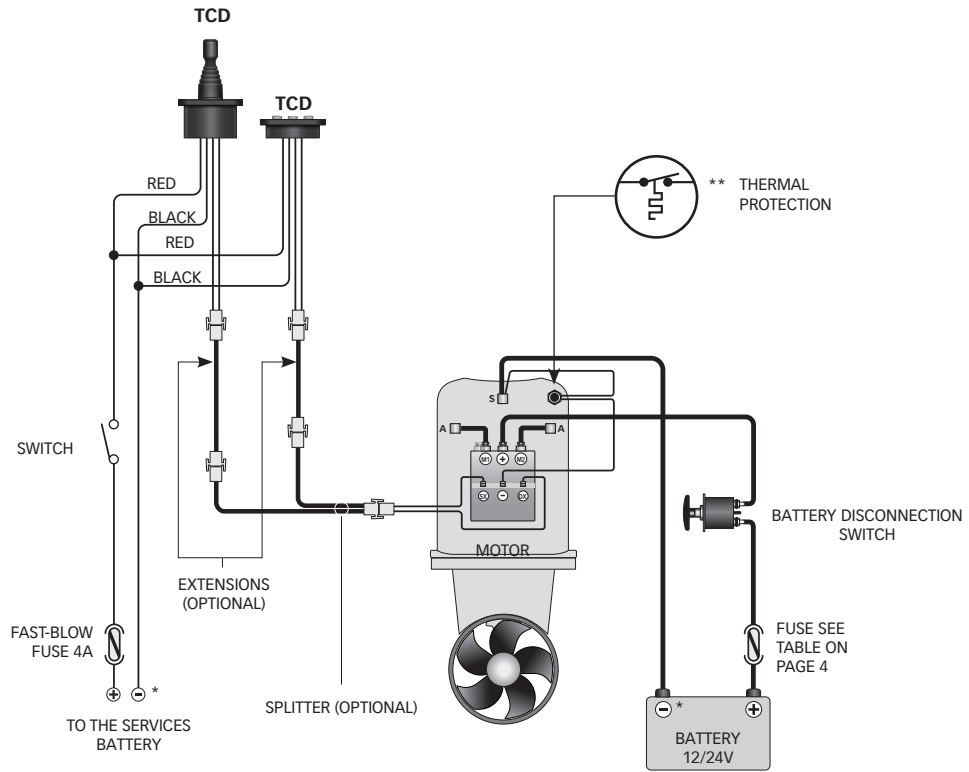


WARNING: on conclusion of assembly, make sure that the propeller is exactly positioned at the central point of the tunnel.



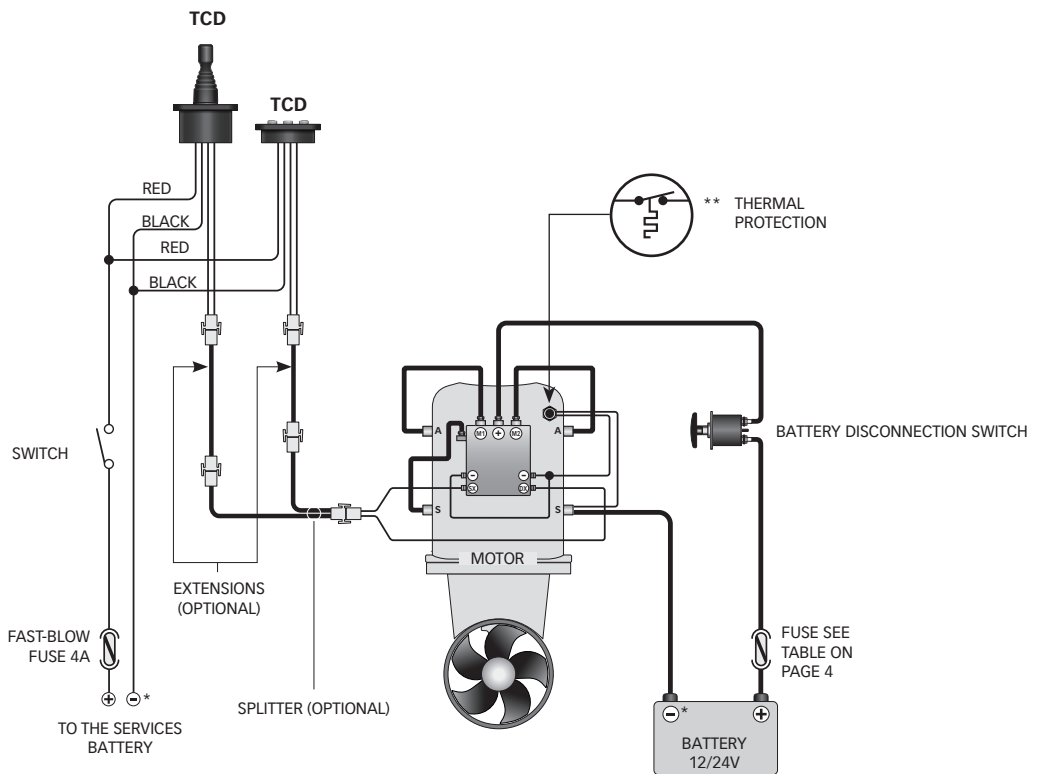
5.0 - BTQ110 basic system

Example of connection



5.1 - BTQ125 basic system

Example of connection



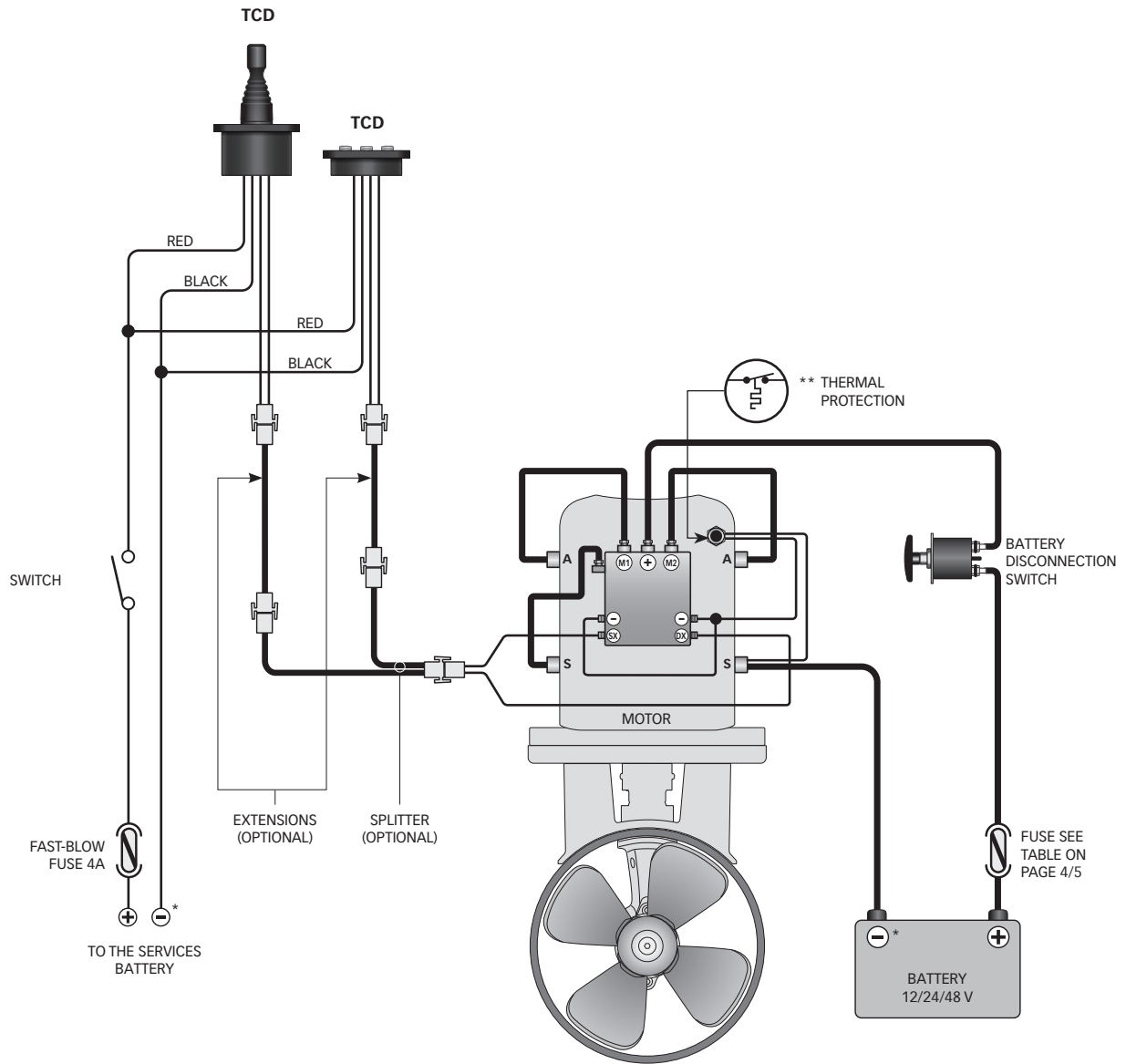
* Common negative for battery groups.

****WARNING:** in case of overtemperature, the thermal protection on the motor will open and interrupt the negative contact on the contactor. Wait for the time needed for reactivation.



5.2 - BTQ140/185/250/300 basic system

Example of connection



* Common negative for battery groups.

****WARNING:** in case of overtemperature, the thermal protection on the motor will open and interrupt the negative contact on the contactor. Wait for the time needed for reactivation.

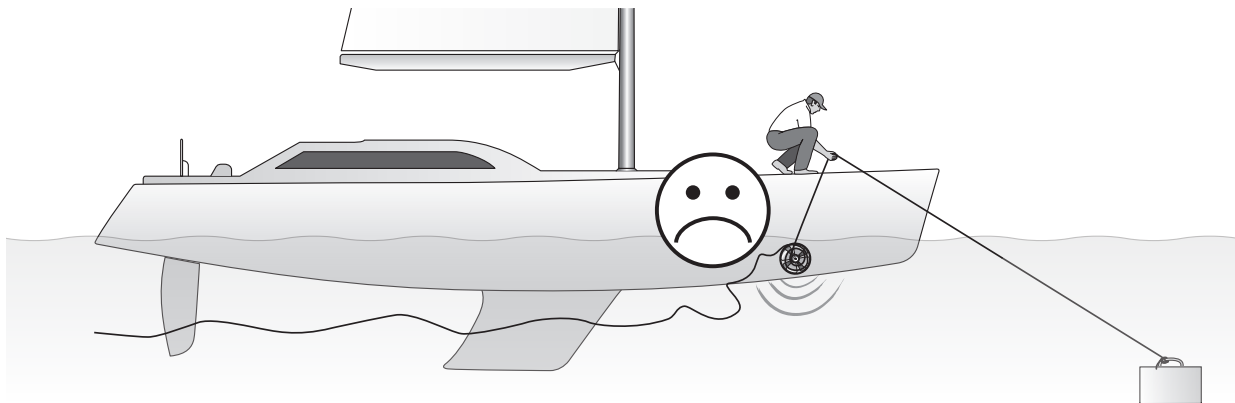
CONTROL PANEL

For control panel installation, please refer to the "TCD" user's manuals.

6.0 - Important cautions

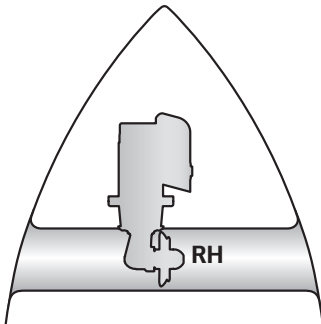


- This thruster is not designed for continuous use. It is equipped with protections which limit its operation at a maximum time span, as reported on the controls' manual. It is strongly forbidden to bypass or modify such protections in order to increase the operating time span, lest voiding the warranty and thus lifting any responsibility from Quick® SPA.
- Make sure no swimmers or floating objects are in the vicinity before switching on the thruster.
- There must not be flammable materials in the peak or in the area where the Thruster motor is.
- Do not operate the bow thruster out of the water for more than 10 seconds.
- During mooring, it is recommended not to leave in the water any free line, which may be sucked in by the propellers, thus leading them to break.



SINGLE PROPELLER

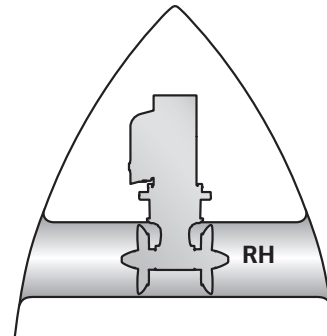
NOTE: the bow thruster must be installed with the propeller to the right of the gearleg (see figure).



If it is necessary to install the bow thruster in the opposite position, the connection of the two cables (blue and grey) of the control cable on the reversing contactor must be reversed.

DOUBLE PROPELLER

NOTE: the bow thruster must be installed with the RH propeller to the right of the gearleg (see figure).



6.1 - Thruster use

Start-up

Start-up happens following activation of a TCD panel. To use the propeller, refer to the TCD control manual.



7.0 - Single/double propeller maintenance

Quick® Thrusters are made in materials that are resistant to the sea environment: in any case, it is indispensable to periodically remove deposits that form on the outer surfaces to avoid corrosions and obstructions with consequent system inefficiency.



WARNING: make sure that the power supply to the hydraulic motor is not switched on when maintenance operations are carried out.



DEPENDING ON USE, PERIODICALLY CHECK THE TIGHTNESS OF THE OIL SEALS AND REPLACE THEM IF NECESSARY.

Dismantle once a year, following the points below:

- Clean propeller, tunnel and gearleg.
- Replace the anode (carry out this operation more often if needed).
- Replace the propeller if damaged or worn out.
- Check the tightness of all screws.
- Ensure that there is no water seepage inside.
- Check that all electrical connections are well tightened and oxide-less.
- Check that the batteries are in good conditions.



8.0 - Product disposal

As with installation, at the end of this product life, dismantling must be carried out by qualified personnel.

This product is made up of various materials, some can be recycled and others must be suitably disposed of; enquire about the recycling or disposal systems provided for by local regulations for this product category. Some parts of the product may contain pollutants or hazardous substances that, if dispersed, may be harmful to the environment and human health.



As indicated by the symbol on the side, it is forbidden to dispose of this product as domestic waste. Separate the products for disposal in accordance with the regulations in force in your area or return the product to the seller when purchasing a new equivalent product. Local regulations may impose severe penalties for the improper disposal of this product.

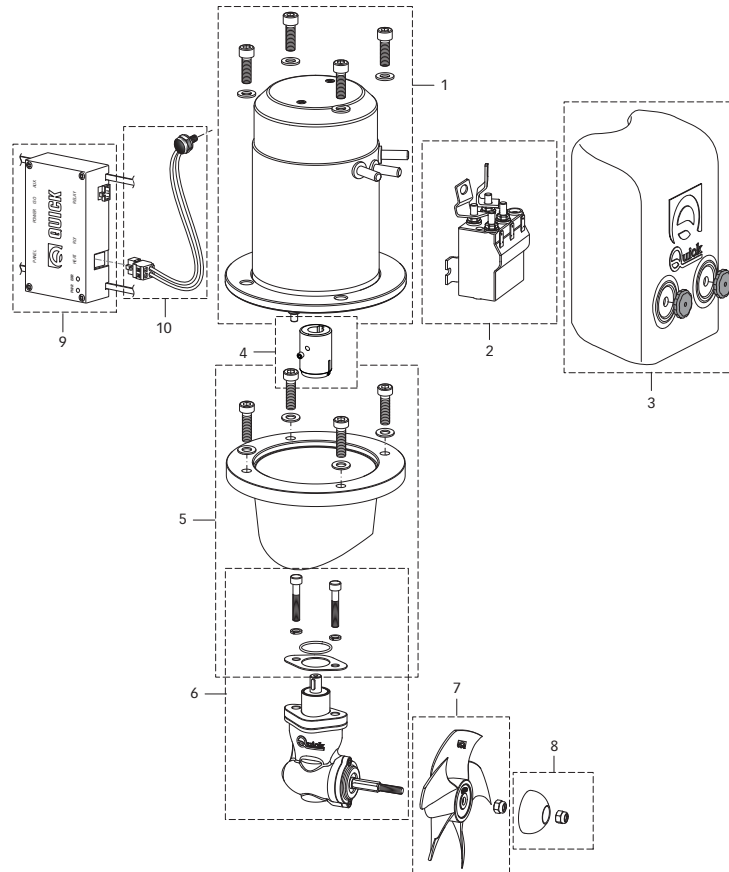
9.0 - BTQ110/125

SINGLE PROPELLER

BTQ 1102512

BTQ 1253012

BTQ 1254012

ONLY
BTQ125

No.	DESCRIPTION	CODES		
1A	OSP MOT 1300W 12V BTQ 110+T	FVEMFEL13120000	4	OSP COUPLING HALF KIT BTQ 110/125 PL FVSGG110125PA00
1B	OSP MOT 1500W 12V BTQ 125+T	FVEMFEL15120000	5	OSP PROPELLER FLANGE KIT BTQ110-125 FVSGFLBTQ110A00
1C	OSP MOT 2200W 12V BTQ125-140+T	FVEMFEL22121400	6A	OSP GEARBOX KIT BTQ110 FVSGGBBT1100A00
1D	OSP MOTOR 2200W 12V BTQ 125+T	FVEMFEL22120000	6B	OSP GEARBOX KIT BTQ125 FVSGGBBT1250A00
2	OSP REV. CONTACTOR BOX KIT T6411-12 BTQ	FVST64111200A00	7A	OSP PROPELLER KIT D110 FVSGEL110000A00
3A	OSP CASING 'A' KIT BT BLACK	FVSGCARBTQR1A00	7B	OSP PROPELLER KIT D125 FVSGEL125000A00
3B	OSP CASING 'C' KIT BT BLACK	FVSGCARBTQR1C00	8	OSP PROPELLER ANODE KIT BTQ110-125 FVSGANBTQ110A00



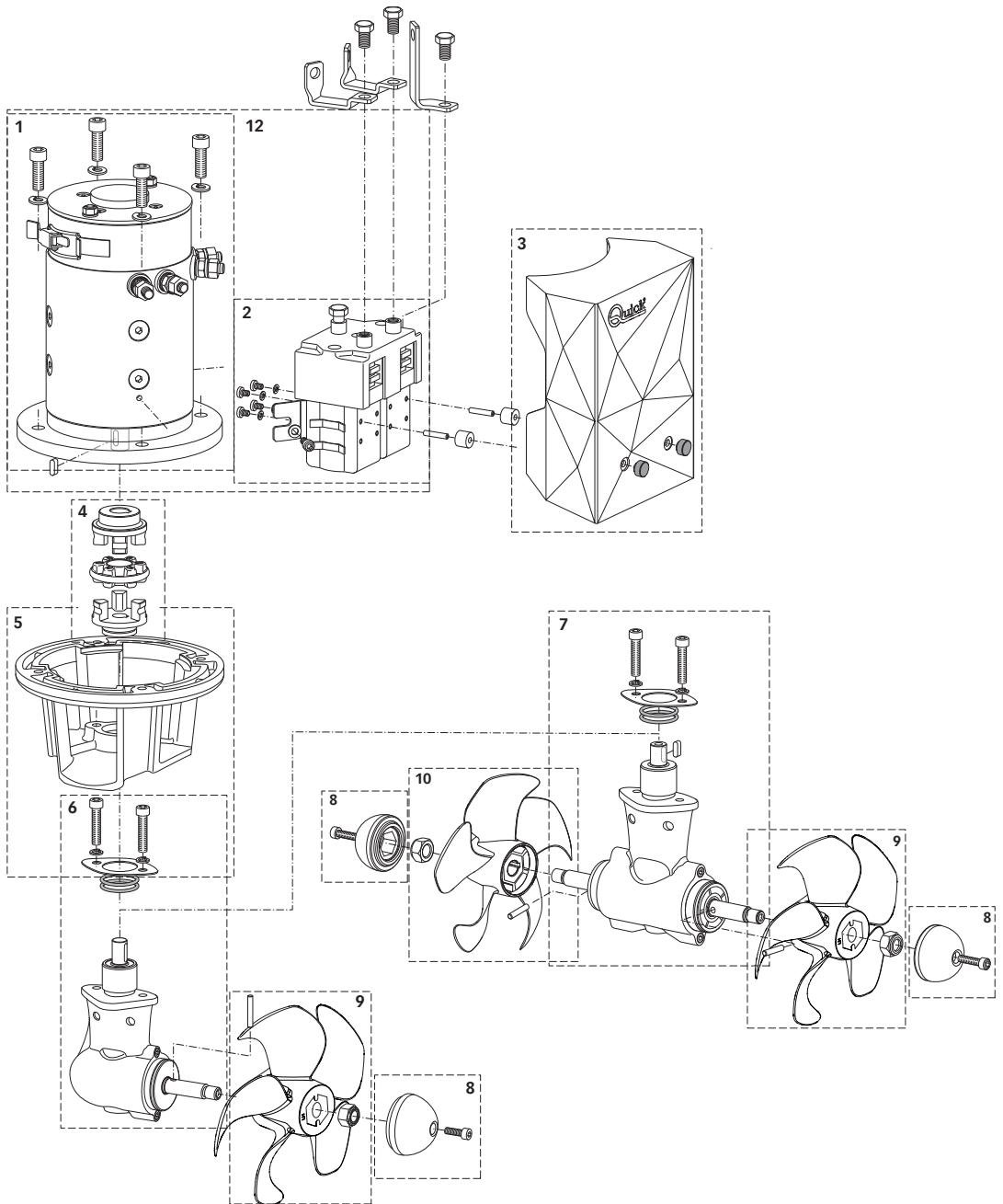
9.1 - BTQ140/185

SINGLE PROPELLER

- BTQ 1403012
- BTQ 1404012
- BTQ 1805512
- BTQ 1805524
- BTQ 1807512
- BTQ 1807524
- BTQ 1809512
- BTQ 1809524

DOUBLE PROPELLER

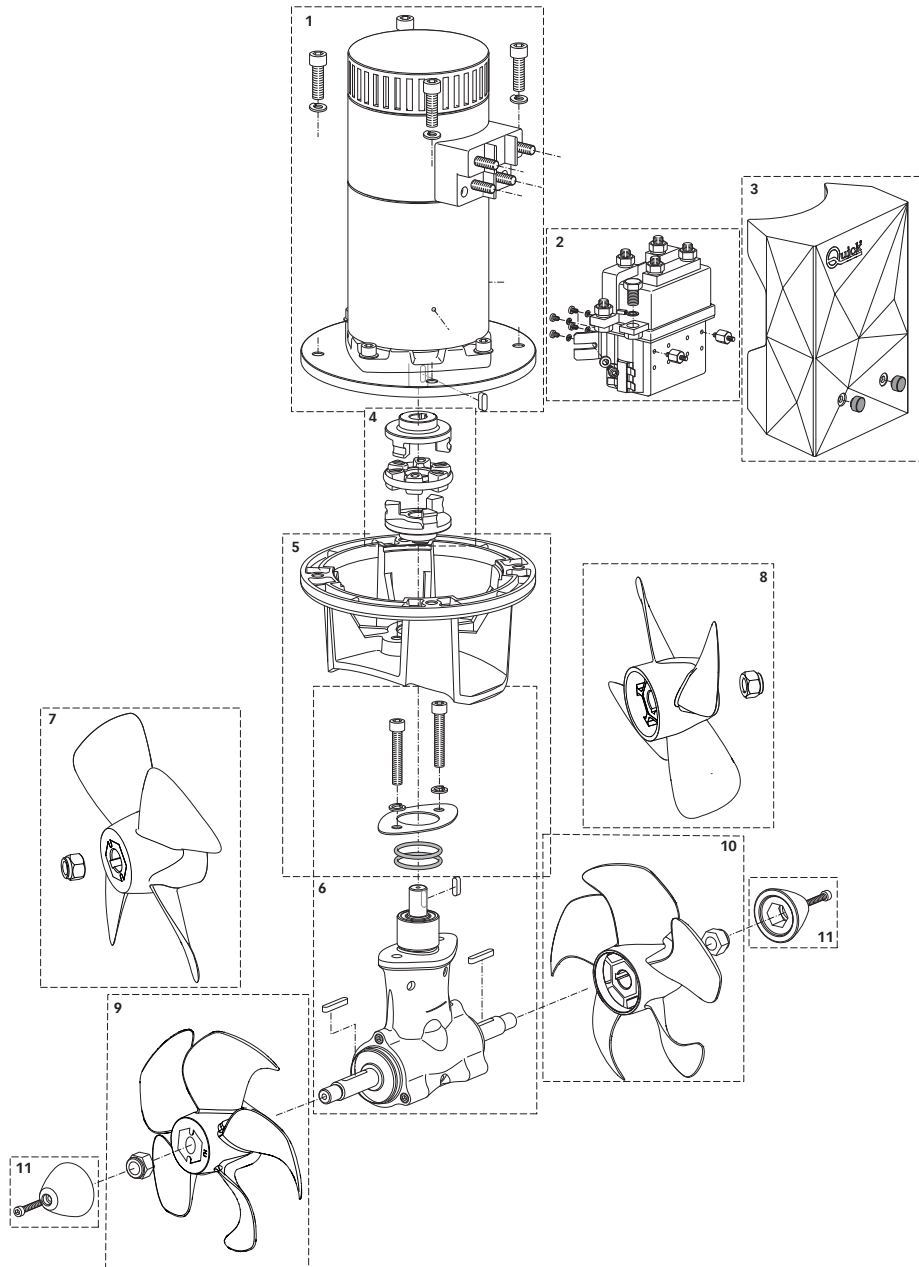
- BTQ 1806512
- BTQ 1806524
- BTQ 1808512
- BTQ 1808524
- BTQ 1810512
- BTQ 1810524



No.	DESCRIPTION	CODES		
1A	OSP MOTOR 1500W 12V BTQ 140+T	FVEMFEL15121400	2B	OSP REV. CONTACTOR BOX KIT 150A 24V FVSGRCT15024A00
1B	OSP MOTOR 2200W 12V BTQ 140+T	FVEMFEL22121400	3A	OSP CASING 'A' KIT BT BLACK FVSGCARBTQR1A00
1C	OSP MOTOR 3000W 12V BTQ185+T	FVEMFEL30121800	3B	OSP CASING 'B' KIT BT BLACK FVSGCARBTQR1B00
1D	OSP MOTOR 3000W 24V BTQ185+T	FVEMFEL30241800	4A	OSP COUPLING KIT 140 30/40KG S FVSGG141114SA00
1E	OSP MOTOR 3300W 12V BTQ185+T	FVEMFEL33121800	4B	OSP COUPLING KIT BTQ 185 FVSGG1851414A00
1F	OSP MOTOR 3300W 24V BTQ185+T	FVEMFEL33241800	5A	OSP FLANGE KIT FOR PROPELLER BTQ140 FVSGFLBTQ140A00
1G	OSP MOTOR 4000W 12V BTQ185+T	FVEMFEL40121800	5B	OSP FLANGE KIT FOR PROPELLER BTQ185 FVSGFLBTQ185A00
1H	OSP MOTOR 4000W 24V BTQ185+T	FVEMFEL40241800	6A	OSP GEARBOX KIT BTQ140 FVSGGGBT1400A00
1I	OSP MOTOR 4300W 12V BTQ185+T	FVEMFEL43121800	6B	OSP GEARBOX KIT BTQ185 FVSGGGBT1850B00
1J	OSP MOTOR 4300W 24V BTQ185+T	FVEMFEL43241800	7	OSP GEARBOX KIT BTQ185 DP FVSGGGBT185DA00
1K	OSP MOTOR 6000W 12V BTQ185+T	FVEMFEL60121800	8A	OSP ANODE KIT FOR PROPELLER BTQ140 FVSGANBTQ14AA00
1L	OSP MOTOR 6000W 24V BTQ185+T	FVEMFEL60241800	8B	OSP ANODES KIT FOR PROPELLERS BTQ185 FVSGANBTQ18AA00
1M	OSP MOTOR 6300W 12V BTQ185+T	FVEMFEL63121800	9A	OSP PROPELLER D185 RH QUICK 5 BLADES BLACK FVSGEL185R05A00
1N	OSP MOTOR 6300W 24V BTQ185+T	FVEMFEL63241800	9B	OSP PROPELLER D140 RH QUICK 5 BLADES BLACK FVSGEL140R05A00
2A	OSP REV. CONTACTOR BOX KIT 150A 12V FVSGRCT15012A00		10	OSP PROPELLER D185 LH QUICK 5 BLADES BLACK FVSGEL185L05A00

9.2 - BTQ250/300

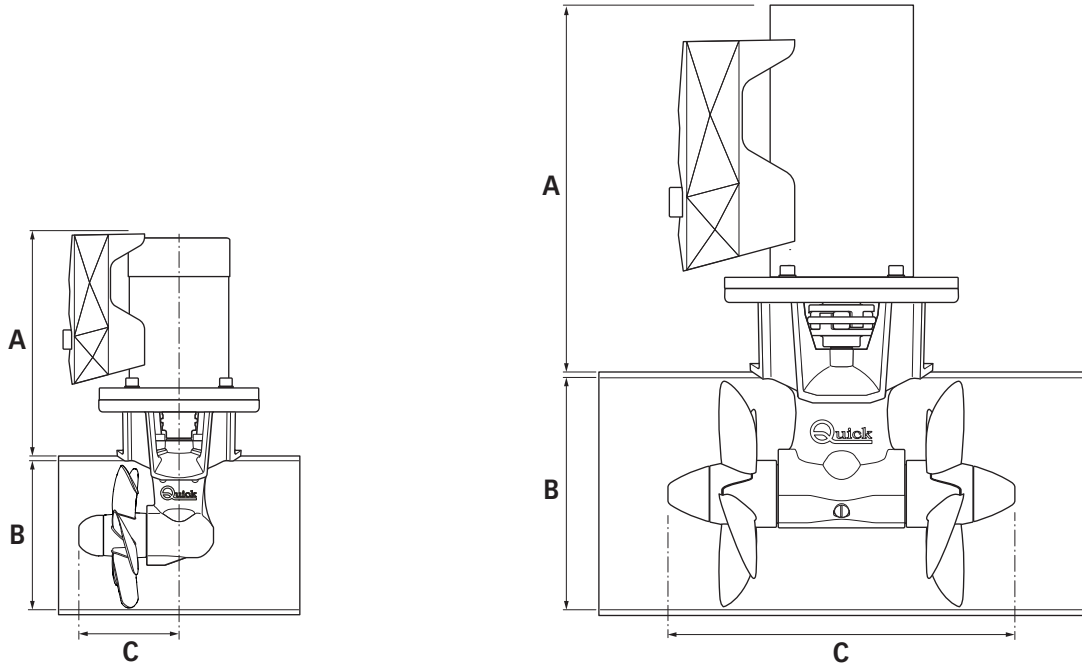
BTQ 2512012
 BTQ 2512024
 BTQ 2514024
 BTQ 2524024
 BTQ 3025024
 BTQ 3027024
 BTQ 3030048



No.	DESCRIPTION	CODES		
1A	OSP MOTOR BT 6500W 12V BTQ250+T	FVEMFEL65122500	4C	OSP COUPLING KIT BTQ 300-300 48V FVSGG3000048A00
1B	OSP MOTOR BT 6500W 24V BTQ250 +T	FVEMFEL65242500	5A	OSP FLANGE KIT FOR PROPELLER BTQ250 FVSGFLBTQ250A00
1C	OSP MOTOR BT 8000W 24V BTQ250 +T	FVEMFEL80242500	5B	OSP FLANGE KIT FOR PROPELLER BTQ300 FVSGFLBTQ300A00
1D	OSP MOTOR BT 10KW 24V BTQ250 +T	FVEMFEL1K242500	6A	OSP GEARBOX KIT BTQ250 FVSGGBT2500A00
1E	OSP MOTOR BT 10KW 24V BTQ300 +T	FVEMFEL1K243000	6B	OSP GEARBOX KIT BTQ300 FVSGGBT3000A00
1F	OSP MOTOR BT 12KW 24V BTQ300 +T	FVEMFEL2K243000	7	OSP PROPELLER KIT D300 R NIBRAL FVSGEL300RN0A00
1G	OSP MOTOR BT 15KW 48V BTQ300 +T	FVEMFEL5K483000	8	OSP PROPELLER KIT D300 L NIBRAL FVSGEL300LN0A00
2A	OSP REV. CONTACTOR BOX KIT 350A 12V	FVSGRCT35012A00	9A	OSP PROPELLER D250 RH QUICK 5 BLADES BLACK FVSGEL250R05A00
2B	OSP REV. CONTACTOR BOX KIT 350A 24V	FVSGRCT35024A00	9B	OSP PROPELLER KIT D300 R FVSGEL300R00A00
3	OSP CASING 'B' KIT BT BLACK	FVSHCARBTQR1B00	10A	OSP PROPELLER D250 LH QUICK 5 BLADES BLACK FVSGEL250L05A00
4A	OSP COUPLING KIT BTQ 250	FVSGG2501919A00	10B	OSP PROPELLER KIT D300 L FVSGEL300L00A00
4B	OSP COUPLING KIT BTQ 300	FVSGG3001924A00	11A	OSP ANODES KIT FOR PROPELLER BTQ250 FVSGANBTQ25AA00
			11B	OSP ANODES KIT FOR PROPELLER BTQ300 FVSGANBTQ30AA00



A series of horizontal dotted lines for taking notes.

**SINGLE PROPELLER**

BTQ110/125	BTQ1102512	BTQ1253012	BTQ1254012
A	240 (9" 29/64)	260.5 (10" 1/4)	262 (10" 5/16)
B	110 (4 21/64)	125 (4")	125 (4")
C	84 (3 5/16)	84 (3 5/16)	84 (3 5/16)

BTQ140	BTQ1403012	BTQ1404012
A	266 (10" 15/32)	268 (10" 9/16)
B	140 (5 1/2)	140 (5 1/2)
C	108 (4 1/4)	108 (4 1/4)

BTQ185	BTQ1805512	BTQ1805524	BTQ1807512	BTQ1807524	BTQ1809512	BTQ1809524
A	292 (11" 1/2)	278 (10" 15/16)	329 (12")	280 (11")	410 (16" 9/64)	374 (14" 23/32)
B	185 (7" 9/32)	185 (7" 9/32)	185 (7" 9/32)	185 (7" 9/32)	185 (7" 9/32)	185 (7" 9/32)
C	123 (4" 27/32)	123 (4" 27/32)	123 (4" 27/32)	123 (4" 27/32)	123 (4" 27/32)	123 (4" 27/32)

DOUBLE PROPELLER

BTQ185	BTQ1806512	BTQ1806524	BTQ1808512	BTQ1808524	BTQ1810512	BTQ1810524
A	292 (11" 1/2)	278 (10" 15/16)	329 (12")	278 (10" 15//16)	410 (16" 9/64)	374 (14" 23/32)
B	185 (7" 9/32)	185 (7" 9/32)	185 (7" 9/32)	185 (7" 9/32)	185 (7" 9/32)	185 (7" 9/32)
C	265 (10" 7/16)	265 (10" 7/16)	265 (10" 7/16)	265 (10" 7/16)	265 (10" 7/16)	265 (10" 7/16)

BTQ250	BTQ2512012	BTQ2512024	BTQ2514024	BTQ2524024
A	389 (15" 5/16)	393 (15" 15/32)	394 (15" 1/2)	471 (18" 1/2)
B	250 (9" 27/32)	250 (9" 27/32)	250 (9" 27/32)	250 (9" 27/32)
C	373 (14" 11/16)	373 (14" 11/16)	373 (14" 11/16)	373 (14" 11/16)

BTQ300	BTQ3025024	BTQ3027024	BTQ3030048	BTQ3030048 NYLON
A	410 (16" 9/64)	481 (18" 15/16)	521 (20" 33/64)	520 (20" 15/32)
B	300 (11" 13/16)	300 (11" 13/16)	300 (11" 13/16)	300 (11" 13/16)
C	434 (17" 3/32)	434 (17" 3/32)	434 (17" 3/32)	434 (17" 3/32)



A series of horizontal dotted lines for taking notes.

BTQ Series

REV 003B



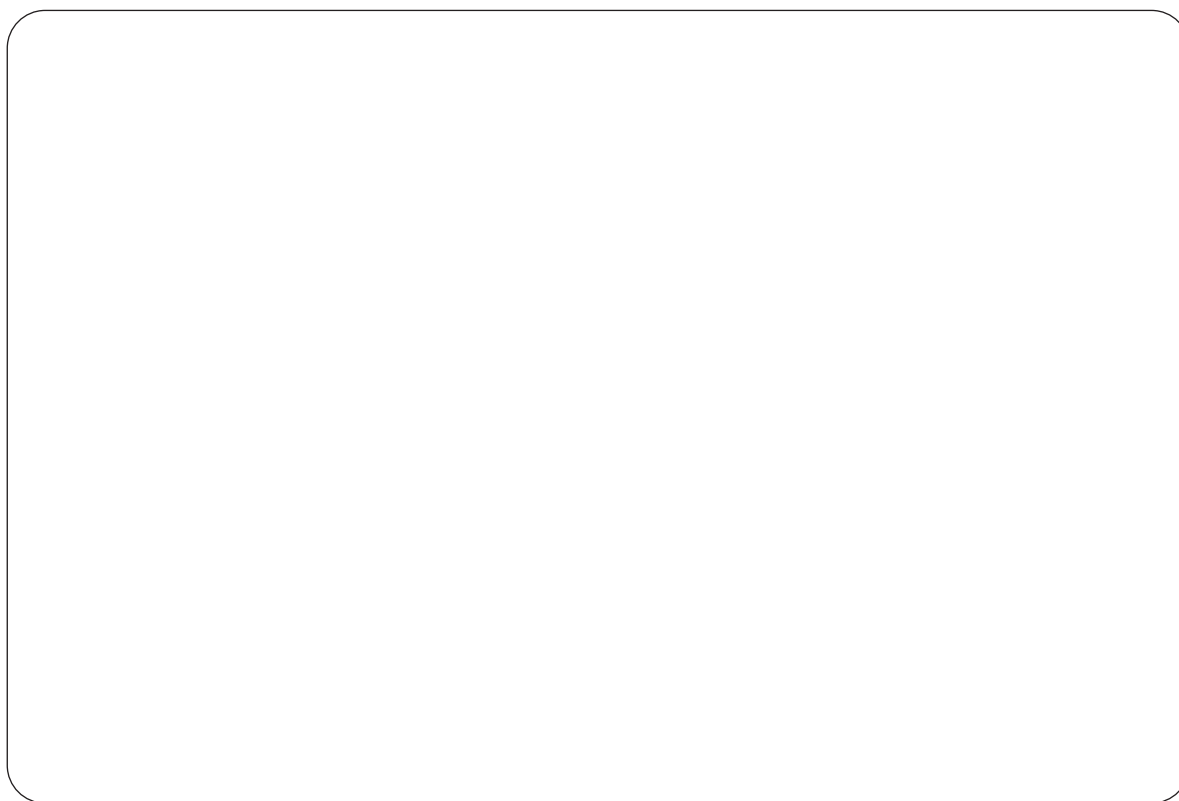
BTQ 18585 - 185105

BTQ 250150 - 250220

BTQ 300240 - 300300 - 300400

BTQ 386455 - 386420 - 186455HD - 38655HD - 386580 HD

BTQ 5131000



Product serial number

